

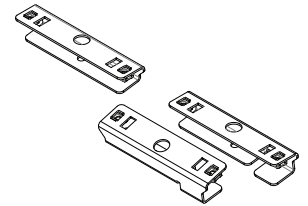


'Tradie Tuff'

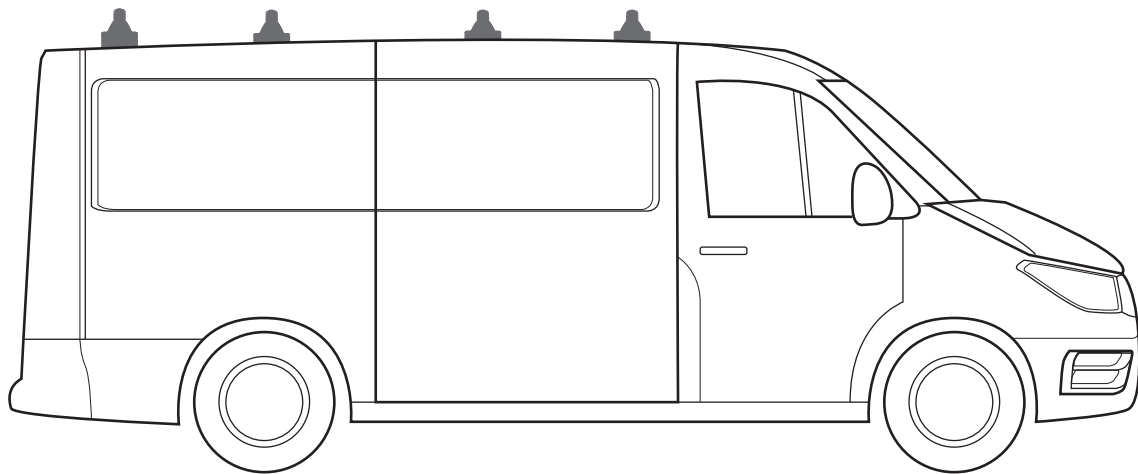
COMMERCIAL ROOF RACKS

VOLKSWAGEN CRAFTER, 01/2018 - ON

FIXED MOUNT



PART NUMBER: VAS.RC1082, VAS.RA1082, VAS.RC1080, VAS.RA1080, VAS.RC1121, VAS.RA1121, VAS.RC1122, VAS.RA1122, VAS.RC1123, VAS.RA1123, VAS.RC1124, VAS.RA1124, VAS.RC1125, VAS.RA1125, VAS.RC1126, VAS.RA1126.



Note:

- PLEASE READ INSTRUCTIONS AND CHECK CONTENT PRIOR TO INSTALLING.
- PLACE INSTRUCTIONS IN VEHICLES GLOVE COMPARTMENT AFTER INSTALLING.



3 Bar maximum capacity: 100kg
 4 Bar maximum capacity: 100kg
 Tested to AS/NZS 1235-200 ADR standards

- Please check your vehicle's manual for vehicle load capacity (please do not exceed the lowest load rating) and please download and read our Load Rating guide which can be found on our website vas.com.au.
- Load rating is based on driving on sealed roads to road conditions and includes weight of roof rack system.

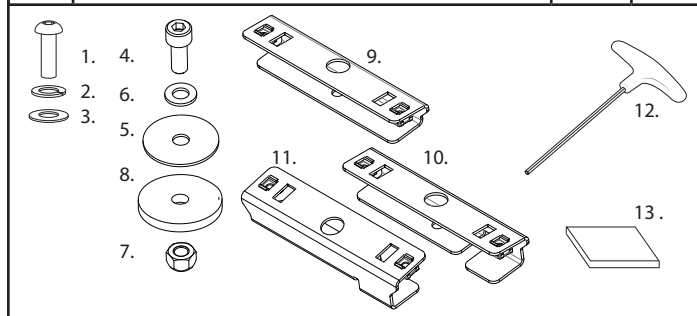
Important information

- Complete maintenance checks weekly including bolt connections and tightness.
- Heavy loads carried near feet
- Overhanging loads should conform to relevant state laws
- Check tie down strap tension every 50klm as loads can shift
- Specialised equipment carriers such as ladder slides should be used
- Ensure your roof racks, ladder rails and or load does not inhibit the tailgate lifting on vehicles manufactured with these doors
- Check car park heights before entering
- Keep load under the maximum capacity
- Use non stretch fastening straps
- Remove roof racks prior to using an automatic car wash

Note: The handling characteristics of a vehicle will change when a carrier system is fitted. Driving technique such as speed reduction, cornering techniques and braking distances should be altered to allow for these changes.

Kit Inclusions

Item	Part	3 Bar	4 Bar
1	M6 x 30mm Button Head Screw - F008	12	16
2	M6 Spring Washer - F012	12	16
3	M6 x 16mm Flat Washer - F011	12	16
4	M8 x 20mm Socket Screw - F019	6	8
5	M8 x 32mm Flat Washer - F020	6	8
6	M8 x 17mm Flat Washer - F017	6	8
7	M8 Nyloc Nut - F021	6	8
8	42mm x 5mm M8 Nylon Washer - C154	2	2
9	Common Bracket - C093	4	6
10	Rear Right Bracket - C200	1	1
11	Rear Left Bracket - C201	1	1
12	4mm Allen Tool - C028	1	1
13	3M Bumpon 0.8 x 25mm x 25mm Patch	4	4

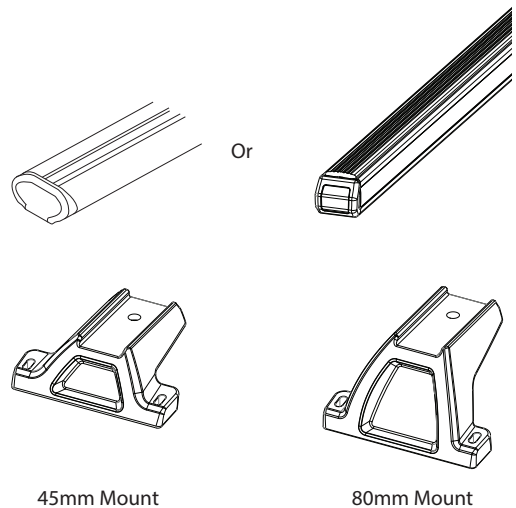


Tools Required

- 1 - Butyl Mastic
- 2 - 10mm Spanner
- 3 - Long Nose Pliers
- 4 - 6mm Allen Key
- 5 - 4mm Allen Tool (provided)

Required kits (as separate):

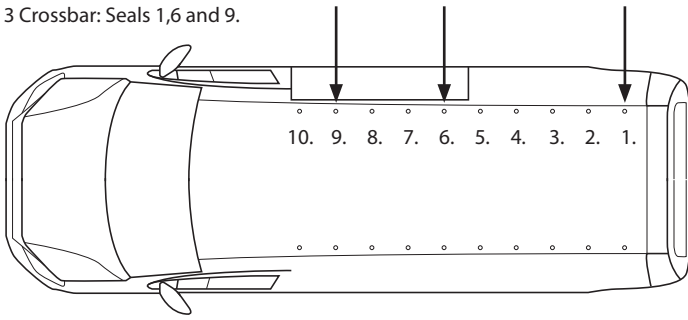
- Crossbar 3 x 1650mm (3Bar)
- Crossbar 4 x 1650mm (4Bar)
- Crossbar Mount Kit x 3
- Crossbar Mount Kit x 4



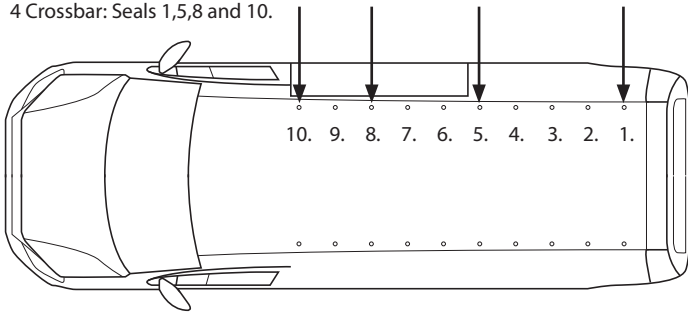
Step 1

Identify the plastic factory seals on the roof of the vehicle. Note the correct mount positions for a 3 and 4 crossbar system shown below (MWB shown).

3 Crossbar: Seals 1,6 and 9.

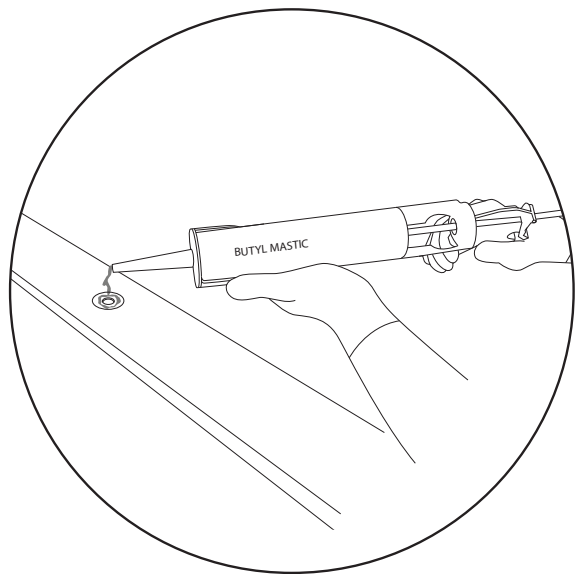
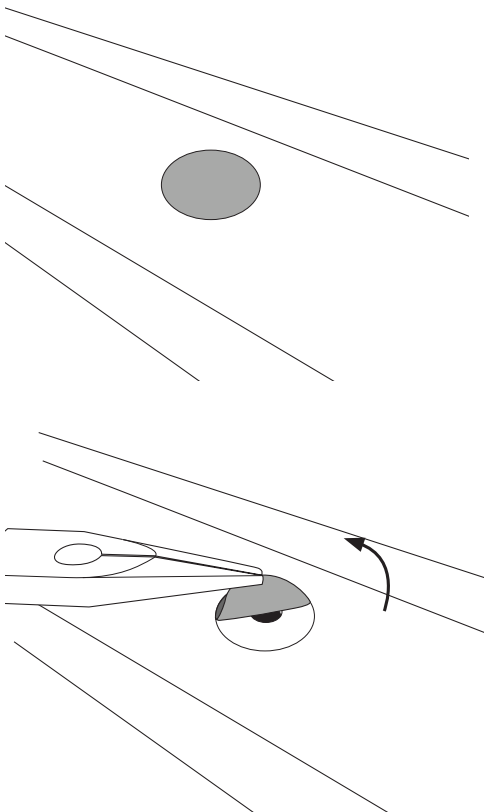


4 Crossbar: Seals 1,5,8 and 10.



Step 2

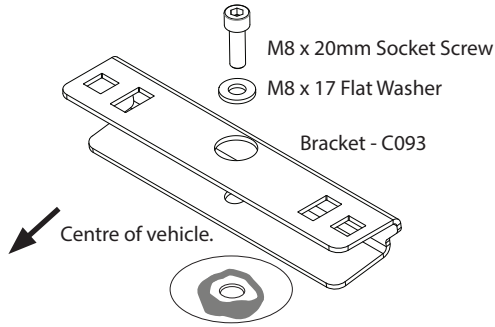
Using long nosed pliers, carefully peel back the factory seals identified in the previous step. Apply butyl mastic sealant to exposed bodywork and carefully around the hole. You must completely remove the seal from the roof, ensuring installed brackets can sit flat against the body.



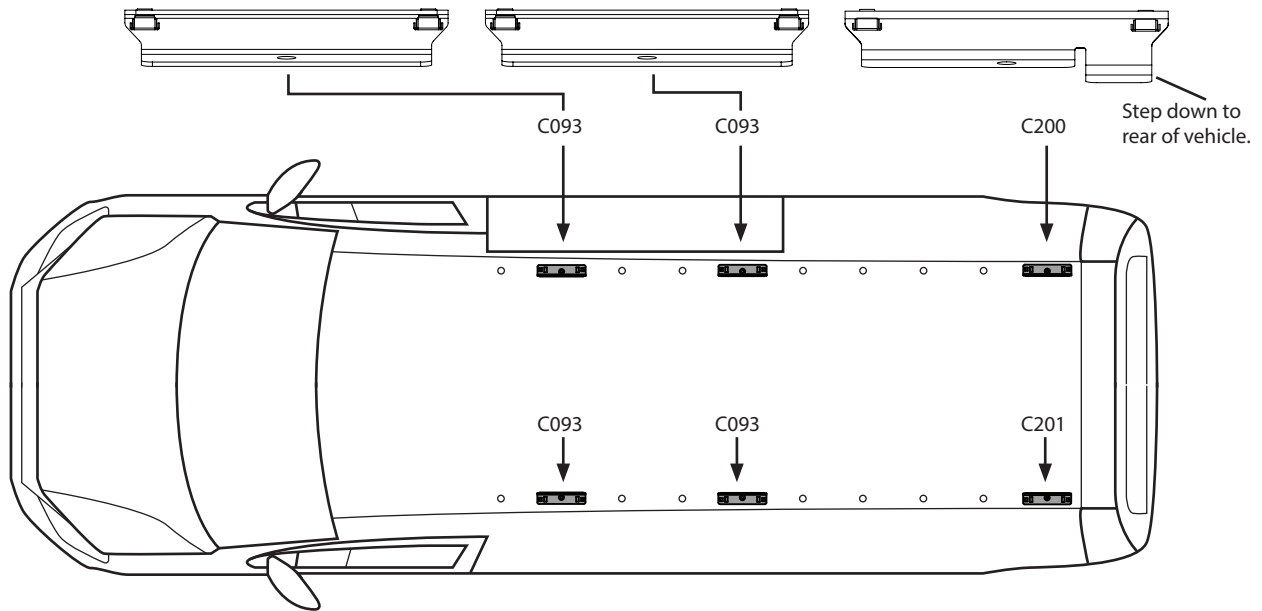
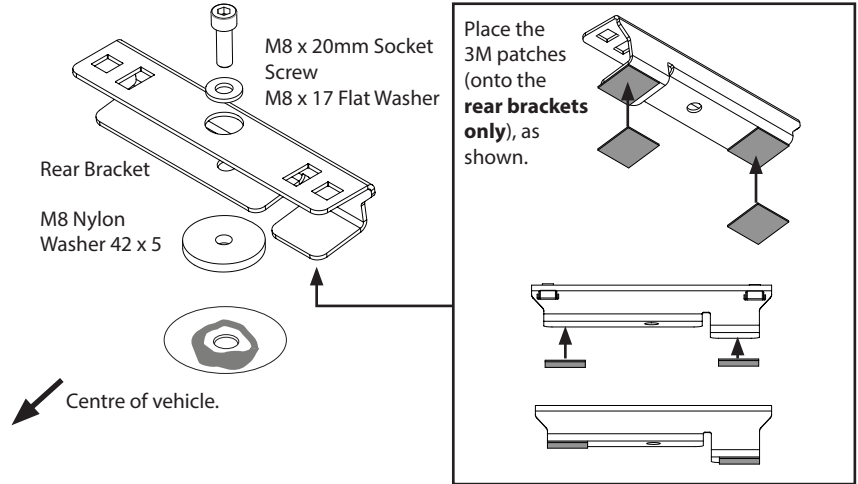
3 Crossbar Setup

Place the appropriate brackets over the exposed holes in the roof. Note that for the rear mounts only, place a nylon washer down first.

Front and middle brackets.



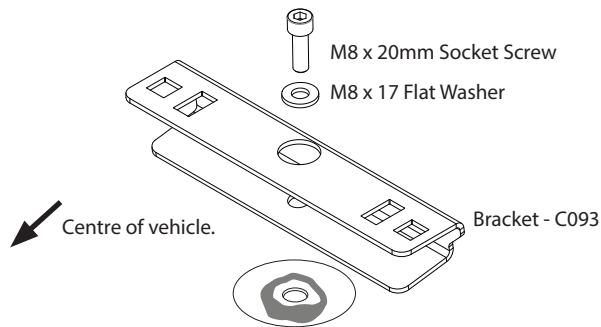
Rear brackets only.



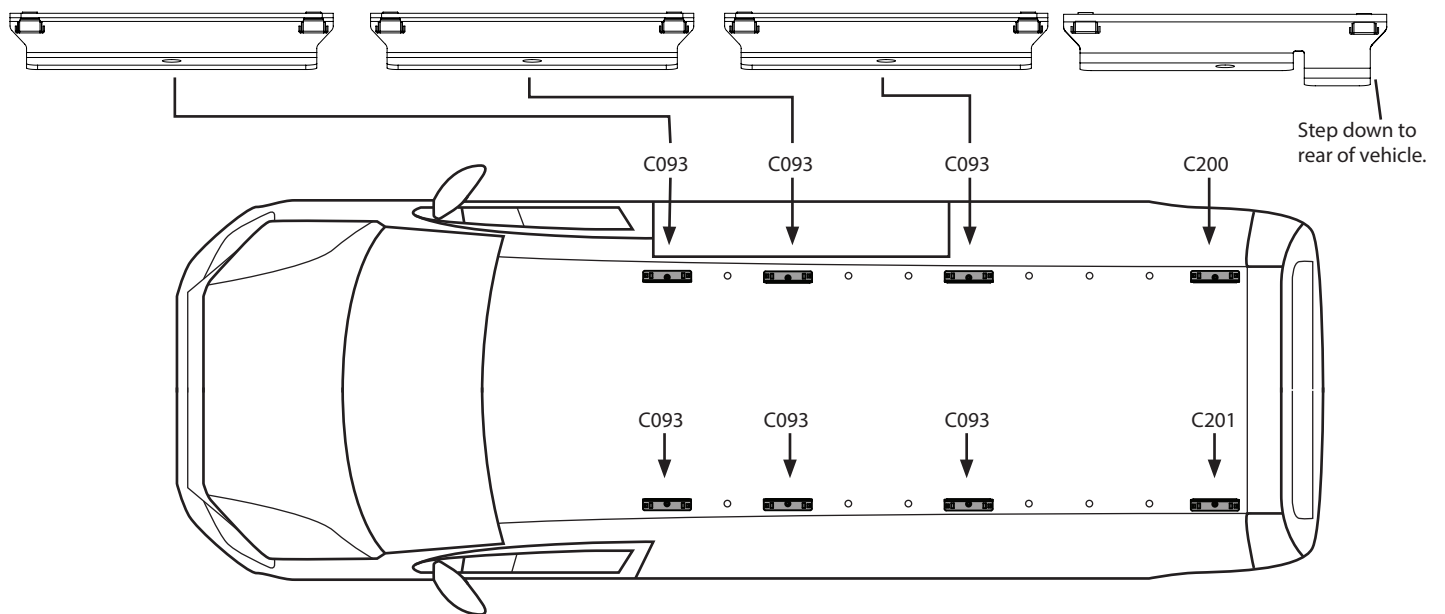
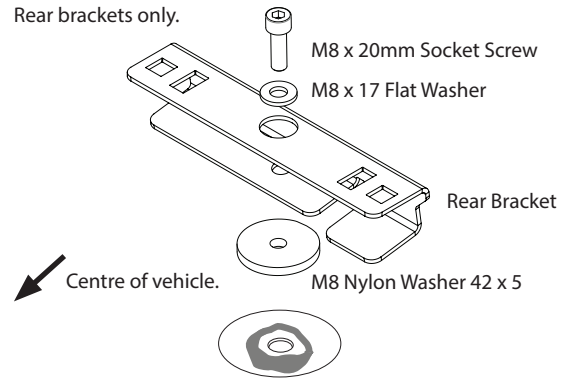
4 Crossbar Setup

Place the appropriate brackets over the exposed holes in the roof. Note that for the rear mounts only, place a nylon washer down first.

Front and middle brackets.

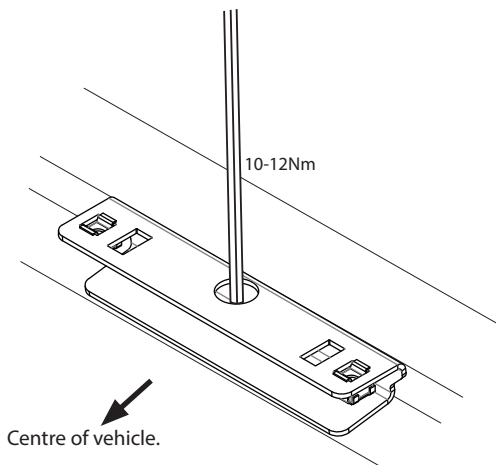


Rear brackets only.

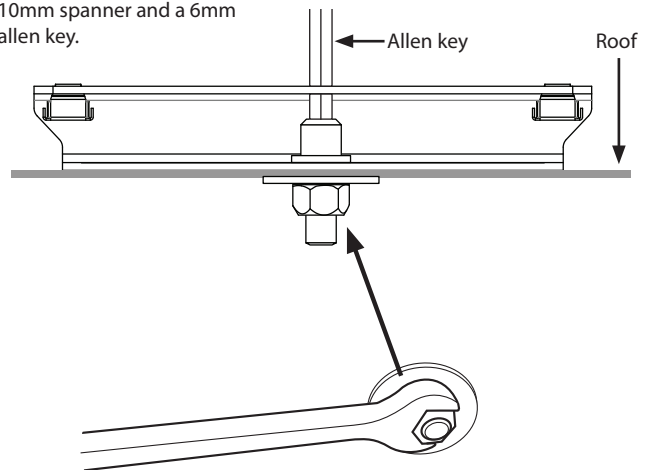


Step 5

From the inside of the vehicle, place a 32mm washer over the socket screws poking through from the roof. Fix in place with a nyloc nut.

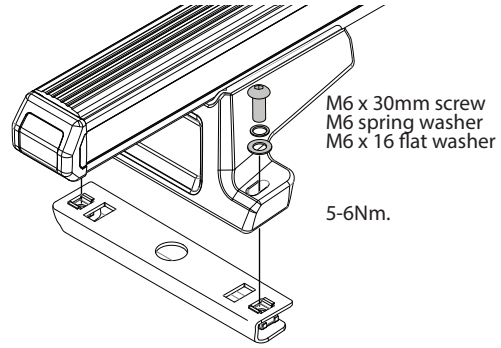


With help, tighten using a 10mm spanner and a 6mm allen key.



Step 6

Complete crossbar mount kits as specified in their instructions. Place the crossbars onto the installed brackets in the roof. Fix in place with the M6 hardware provided and tighten with an allen key.

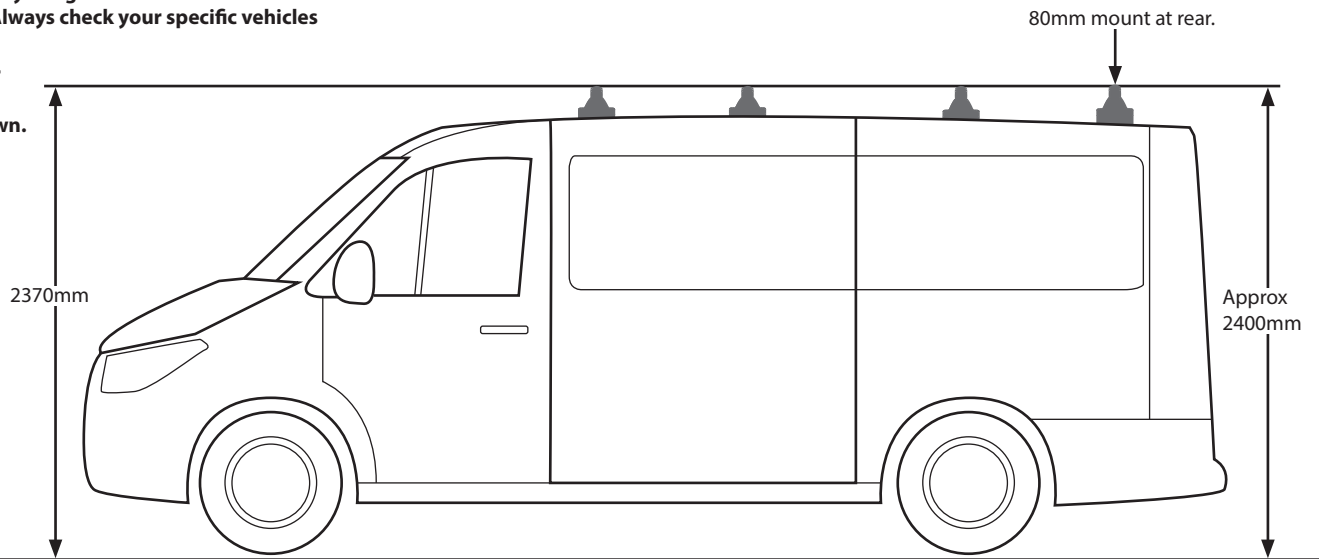


NOTE

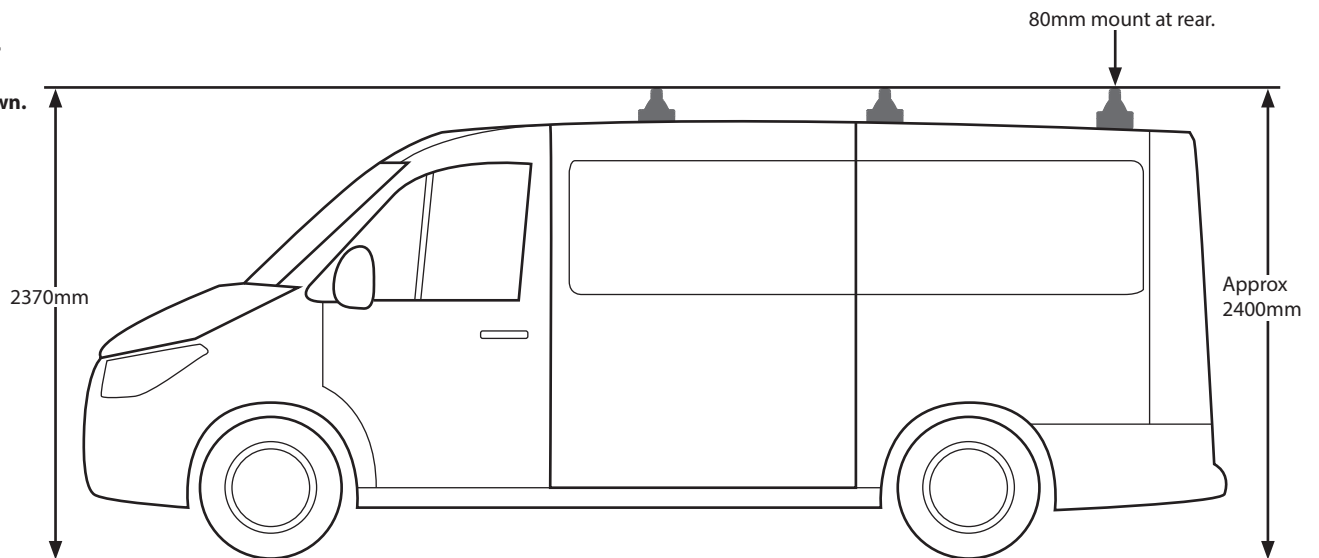
ATTENTION:

Thoroughly check all fasteners are secure before driving away. Heights are for standard unloaded vehicles. Always check your specific vehicles height.

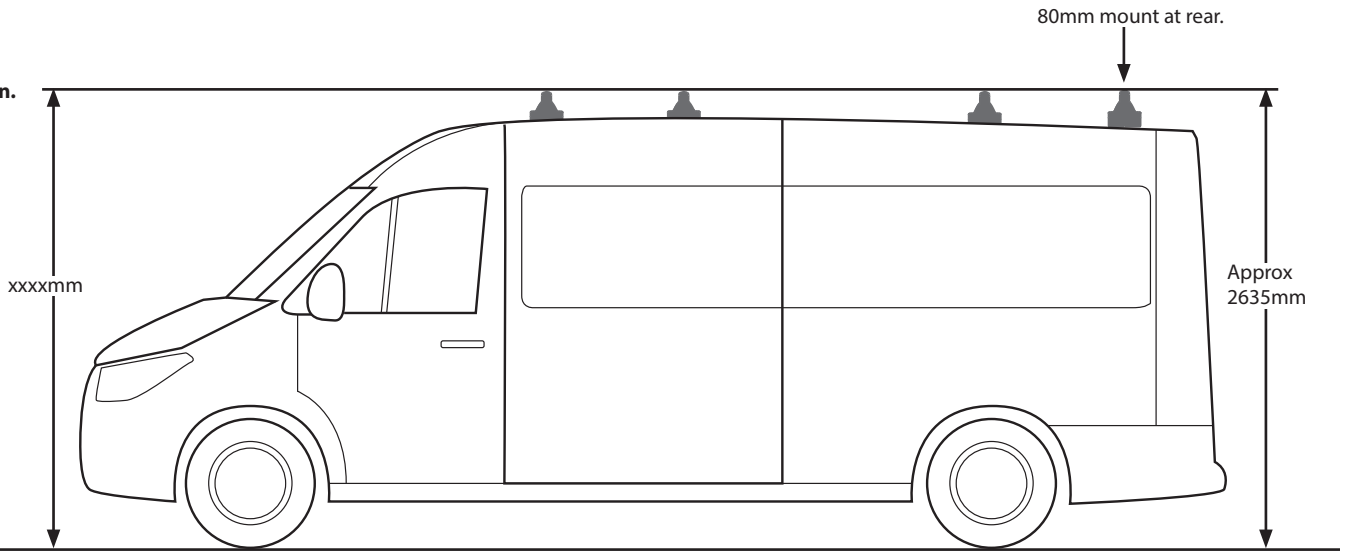
4 crossbar setup. MWB shown.



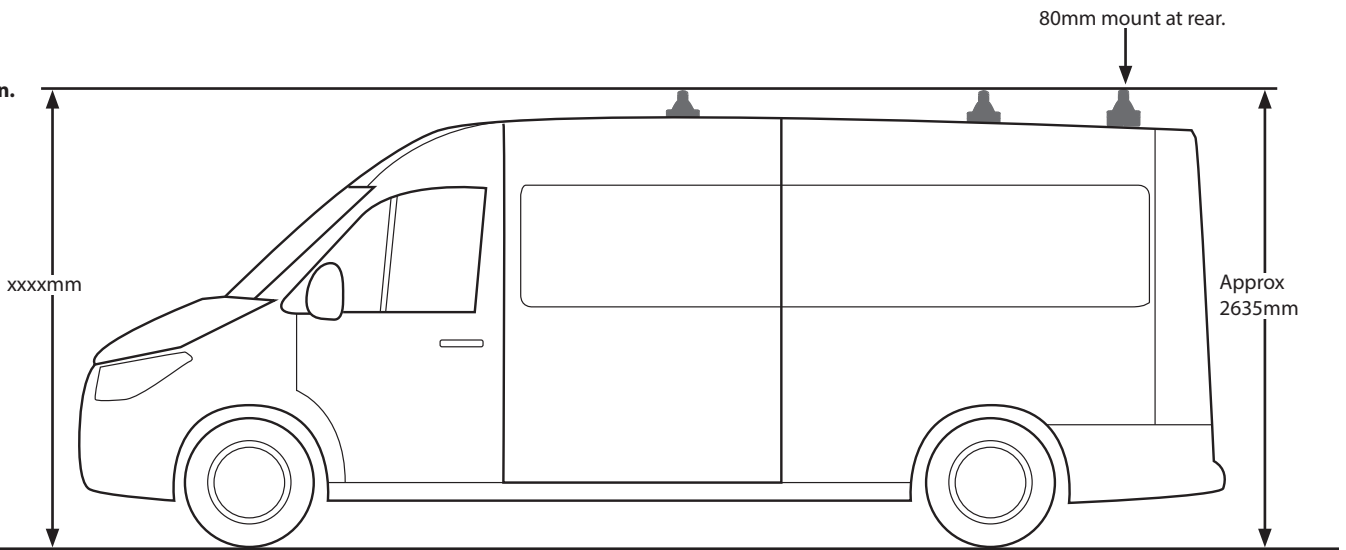
3 crossbar setup. MWB shown.



**4 crossbar
setup.
LWB shown.
High roof.**



**3 crossbar
setup.
LWB shown.
High roof.**



**4 crossbar
setup.
LWB
extended
shown.**

